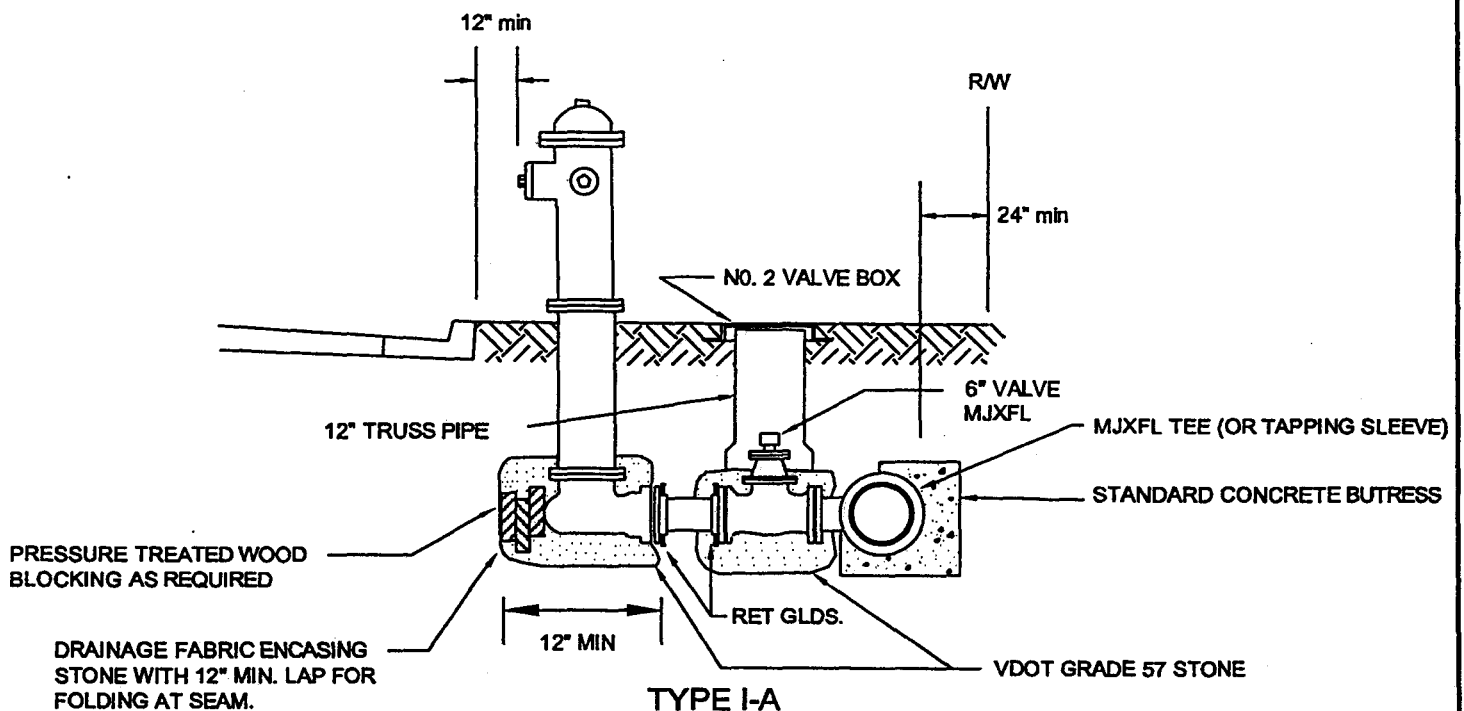


TYPE I



TYPE I-A

NOTES:

1. HYDRANT TO BE SET WITH BREAKABLE COUPLING APPROXIMATELY 3" ABOVE FINISHED GRADE.
2. STEAMER NOZZLE IS TO FACE CURB UNLESS OTHERWISE NOTED.
3. HAMPTON UTILITY POLICY REQUIRES RISER ABUTTING BUT NOT IN THE SIDEWALK (SEE PLAN VIEWS, W-06E).

CITY OF NEWPORT NEWS
DEPARTMENT OF PUBLIC UTILITIES
NEWPORT NEWS, VIRGINIA

**TYPE I
FIRE HYDRANT SETTING
W/ CURB & GUTTER**

REVISED BY:	B.W.S.	B.W.S.			DWG. NO.	W-06A	SCALE	NONE	DATE
REVISED DATE:	1/98	12/00			DWG. FILE NO.		DWN. BY	B.S.	10/13/95
					PRINT FILE NO.	N-1809	CKD. BY	F.B.	