
INVITATION FOR BIDS

March 18, 2009

IFB #2009-5156-2205

City of Newport News
OFFICE OF THE PURCHASING DIRECTOR
2400 Washington Avenue
Newport News, VA 23607



Phone: (757) 926-8721/ Fax: (757) 926-8038

STREETLIGHTS-thimble Shoals Boulevard from Jefferson Avenue to Channel Drive

ADDENDUM 1

BID DUE: March 24, 2009 at 3:00 P.M.

Contract Officer:

A handwritten signature in cursive script that reads "Bill Lindsey".

Bill Lindsey, CPPO, C.P.M., Purchasing Administrator, blindsey@nngov.com

Be Advised of the following changes to the subject solicitation:

Attached, please find two (2) drawings that describe the anchor bolt pattern of the poles. Dominion Virginia Power will **not** be providing the anchor bolts and bidders should include this in their bid for the cost of the foundations.

Company Name: _____

Address: _____

City/State/Zip: _____

Telephone: _____ Fax No.: _____ E-Mail: _____

Fed. Tax ID (or Social Security #): _____

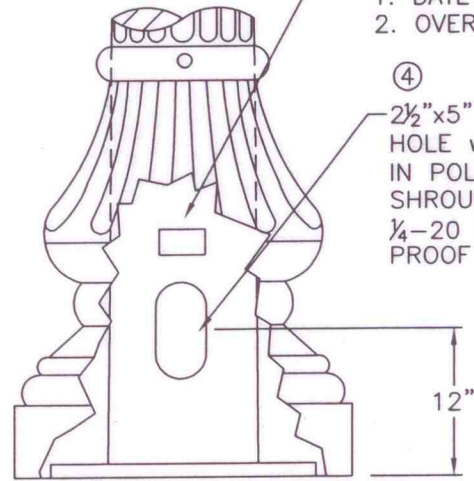
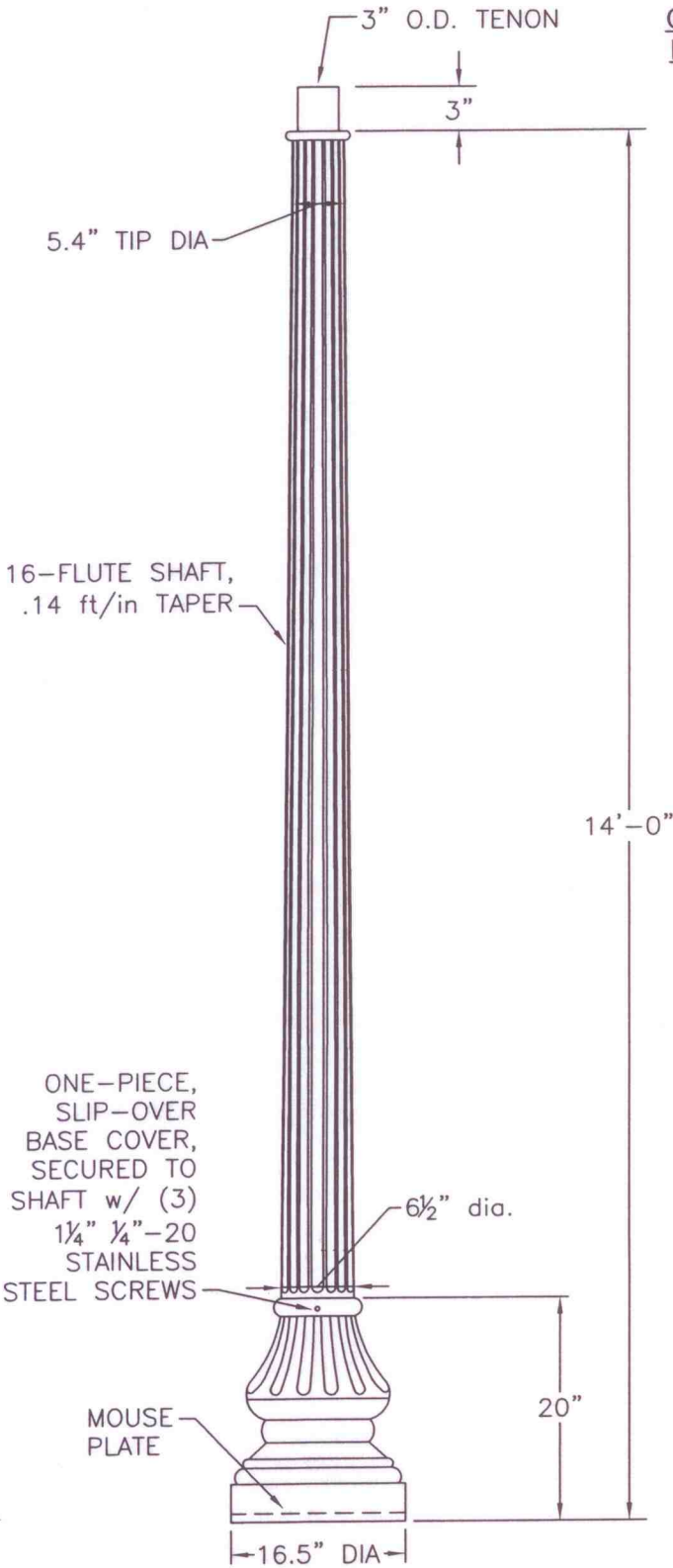
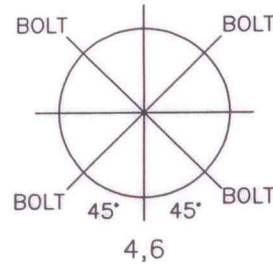
Print Name: _____ Title: _____

Signature: _____ Date: _____

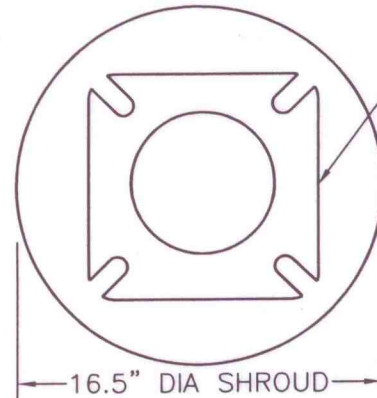
This form must be signed. All signatures must be original and not photocopies



ORIENTATION VIEWED FROM TOP OF POLE



SHROUD DETAIL



BASE PLATE DETAIL

⑥ NAMEPLATE (3" ABOVE HAND HOLE) TO INCLUDE,
1. DATE OF MFG
2. OVERALL LENGTH

④ 2 1/2"x5" dia. HAND HOLE w/ DOOR IN POLE, UNDER SHROUD. USE 1/4"-20 TAMPER PROOF SCREWS

11" SQUARE ANCHOR BASE
SLOTS TO FIT 3/4" BOLTS ON 9" - 11" BOLT CIRCLE

NOTES:
• NAMEPLATE TO INCLUDE MANUFACTURER'S NAME, DATE POLE WAS MANUFACTURED, & LENGTH OF POLE.

COLOR: HARTFORD GREEN(RAL 6009)
FINISH: SMOOTH
MATRIX: LPM



Composite Materials Technology
5883 Glenridge Drive, Suite 160
Atlanta, GA 30328
404-843-8340
www.cmtpoles.com

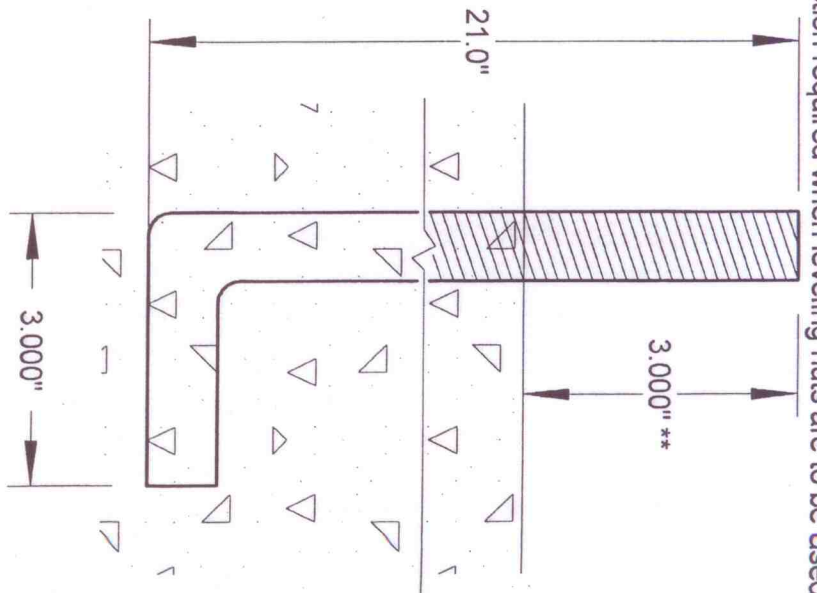
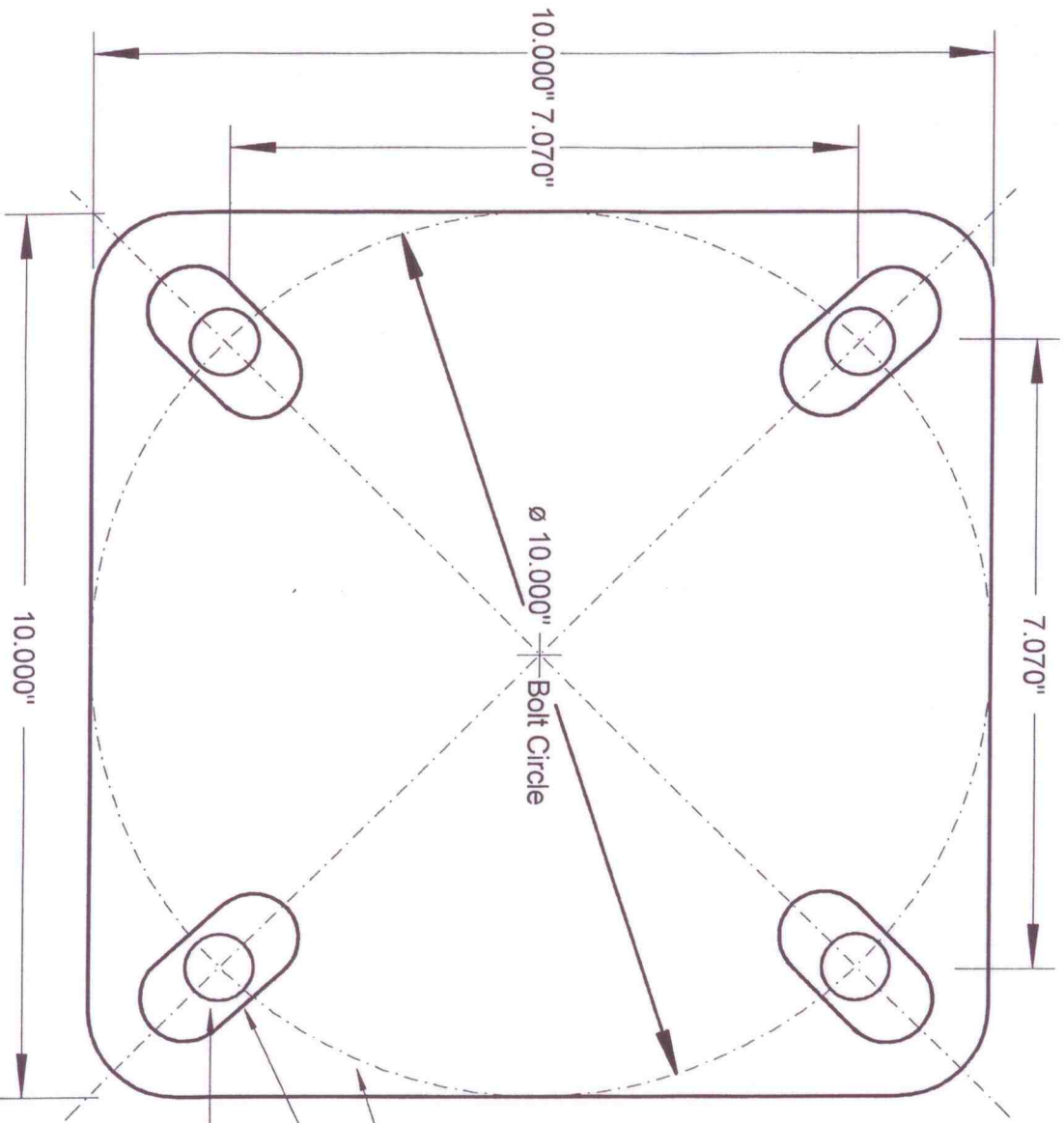
**HUGHES
DOMINION VIRGINIA POWER**

CAT. NO.: LV(S)A14-S-6-T300-F

SPECS: ANSI 136.20	WIND VEL.: 110 @ 1.3
TOT. LENGTH: 14'-0"	LUM. WEIGHT: 50 lbs.
EMBED. DEPTH: N/A	LUM. EPA: 2.6 sq.ft.
TIP DIA: 5.4"	STATIC DEFL.:
WEIGHT: lbs.	TOTAL DEFL.:
DRAWN BY: JBW	DATE: 02/20/08

QUANTITY: —	JOB NUMBER: —		
ITEM ID# 42062757	REF#:		
REV.	DATE	BY	REMARKS

** 4.0" bolt projection required when leveling nuts are to be used



10.0" Diameter Bolt Circle
 1.0" Wide X 2.0" Long Slot
 Accommodates 3/4" bolts on a 9.0" to 11.0" bolt circle
 3/4" Diameter Anchor Bolts



DOMINION OUTDOOR LIGHTING
 Decorative Fluted Fiberglass Pole
 Anchor Base Template

Project: | Rev: | Date: 2007-11-07